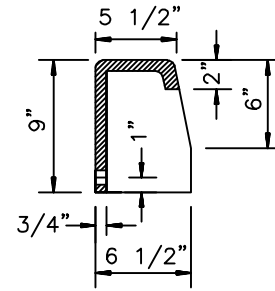
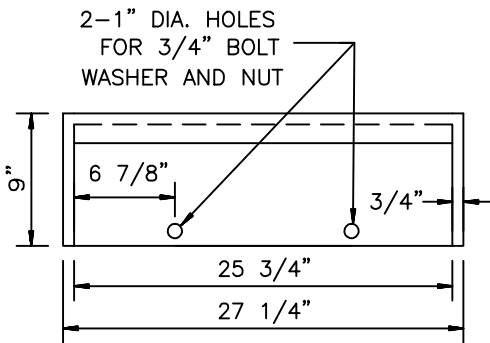


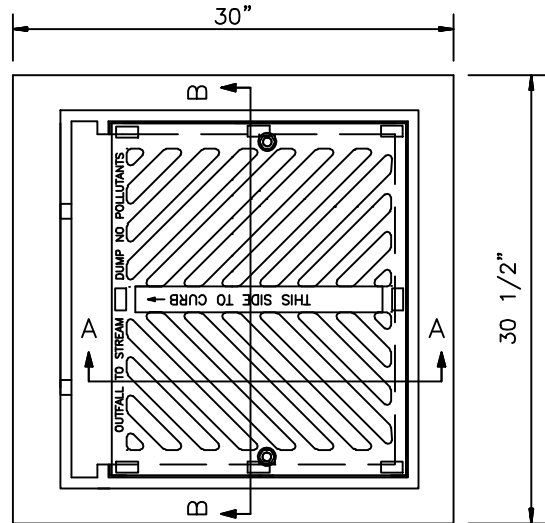
SECTION A-A



HOOD DETAIL - SECTION

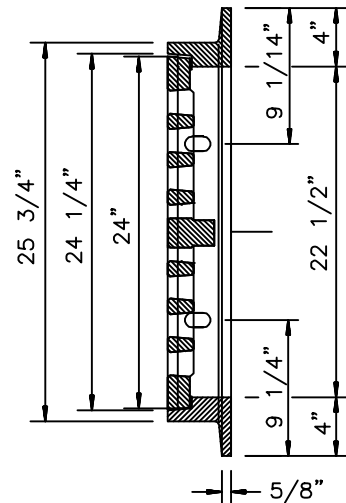


HOOD DETAIL - FRONT



NOTES:

1. GRATE SHALL EITHER BE STANDARD GRATE OR VANED GRATE.
2. GRATE SHALL BE LOCKED DOWN WITH (2) 5/8" STAINLESS STEEL SOCKET HEAD CAP SCREWS.
3. LEVELING PADS 1 1/2"X 3/4"X 1/8" SHALL BE USED.
4. FRAME SHALL BE CAST IRON ASTM A48 CL. 30.
5. INSTALL 3/16" NON-SKID DIAMOND PATTERN ON TOP SURFACE OF HOOD.
6. BOLT, WASHER, AND NUT SHALL BE GALVANIZED OR CORROSION RESISTANT.
7. FOR INSTALLATION ON ARTERIALS. FOR NON-ARTERIALS, ALTERNATE THROUGH CURB INLET FRAMES FOR 18" X 24" GRATES MAY BE INSTALLED.



SECTION B-B



APPROVED BY	L. OLIVE
DATE	07/31/2008
REF STAN SPEC	

DEPARTMENT OF PUBLIC WORKS STANDARD DETAIL
THROUGH CURB INLET FRAME

STANDARD DETAIL NUMBER
SD-100